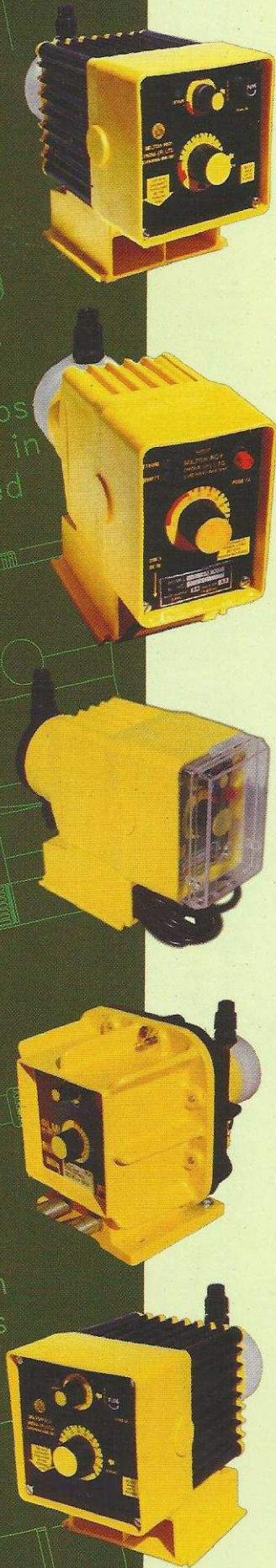


# ELECTRONIC DOSING PUMPS



## KEY SPECIFICATION FEATURES

- Electronically operated Mechanically Actuated Diaphragm
- Solid state encapsulated electronics
- Compact Size
- Light Weight
- Low Maintenance
- High Precision ball and seats for reliable sealing
- Manual stroke length control adjustable while running .
- Manual/Automatic speed control adjustable while running or stopped.
- Steady State Accuracy of  $\pm 2\%$
- Tolerance on Max.capacity 0 to +25%
- Repeatability  $\pm 5\%$
- Composite PTFE faced Hypalon Diaphragm for longer life.
- Electro Magnetic Drive: Less moving parts.
- Low Power Consumption
- Liquid End Material of construction in PP, PVC, PVDF, SS-316
- Suction Lift 1.5 mwc max.



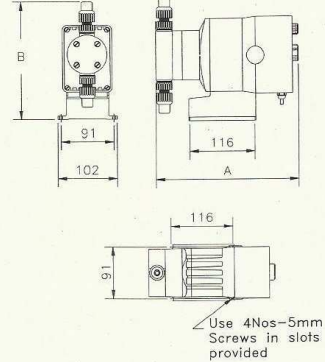
**MILTON ROY INDIA**

## SERIES A



### TYPICAL PERFORMANCE

PUMP MODEL	CAPACITY		MAX. INJ. PRESS KG/CM <sup>2</sup>	DIAPHRAGM SIZE (Sq. Inch)	DIMENSION DETAILS		SIZE OF TUBING OD x ID	NET WEIGHT
	MIN CC/HR	MAX LPH			A	B		
A-09, A-79, A99	20	1.0	12.0	0.5	240	210	3/8" X 1/4"	Plastic Liquid end 3.5 kg
A-10, A-70, A90	40	2.0	10.0	0.5				
A-11, A-71, A91	80	4.0	5.5	0.9				
A-12, A-72, A92	120	6.0	3.5	1.8				
A-13, A-73, A93	240	12.0	2.0	3.0	260	225	1/2" x 3/8	Metallic Liquid end 4.5 kg



### MATERIAL OF CONSTRUCTION

PART	MATERIAL			
	PP	PVC	PVDF	CF8M
HEAD	PP	PVC	PVDF	CF8M
DIAPHRAGM	TEFLON FACED HYPALON	TEFLON FACED HYPALON	TEFLON FACED HYPALON	TEFLON FACED HYPALON
BALL	CERAMIC	CERAMIC	CERAMIC	CERAMIC
RING SEAL	TEFLON	TEFLON	TEFLON	TEFLON
SUCTION / DISCHARGE VALVE	PVC	PVC	PVC	SS - 316
ANTISYPHON VALVE	PVC	PVC	PVC	SS - 316
FOOT VALVE	PVC	PVC	PVC	SS - 316
TUBING	LDPE	LDPE	LDPE	LDPE

#### Notes (For all models)

- Drive Details : Electromagnetic Power Unit (EPU) 230V, 50Hz. Single Phase AC.
- MAX SPEED 100 SPM
- Discharge End Connection 1/2" NPT(M)
- Model Suffix 'L' comes with Milton Roy Standard Float Type Level Switch with in-built pump trip Eg: A13L.
- Optional : Unique Four Function Valve(FFV) for Positive Anti-syphon, Priming Aid, Back Pressure, Pressure Relief.  
Available on all pumps except 'V' Series and D -14 models and pumps with rated pressure 2 Kg /cm<sup>2</sup>
- A-79 to A-73/B-71 to B-73/D-70 to D-74: Instrument responsive pumps will accept modulated frequency signal.
- A-99 to A-93/B-91 to B-93/D-90 to D-94: Instrument responsive pumps will accept 4-20 mA signal.
- Pumps are provided with Foot Valve, Anti-syphon Valve and 3M LDPE tubing. Y strainer optional instead of Foot Valve.
- Power Consumption Approx.40 Watts for A&V models  
Approx.75 Watts for B models.  
Approx. 100 Watts for D models
- For 'V' Series pumps speed control is not available.
- 'V' Series pump is available in 'PP' (Liquid End MOC) only.
- Foundation Details : For A, V, B, D use four numbers 5mm screws in slots provided.



ISO 9001 : 2000  
Certified

### MILTON ROY INDIA (P) LTD

Head office and Manufacturing unit:

Plot No:45/1, 8th Avenue, Domestic Tariff Area,  
Mahindra World City, Kanchipuram District,  
Chengalpet - 603002.

Tel Ph. No: +91-44-47438181 FAX No: +91 -44-47438182

e-mail: mrisales@hs.utc.com; mrisupport@hs.utc.com

www.miltonroyindia.com

Represented By :